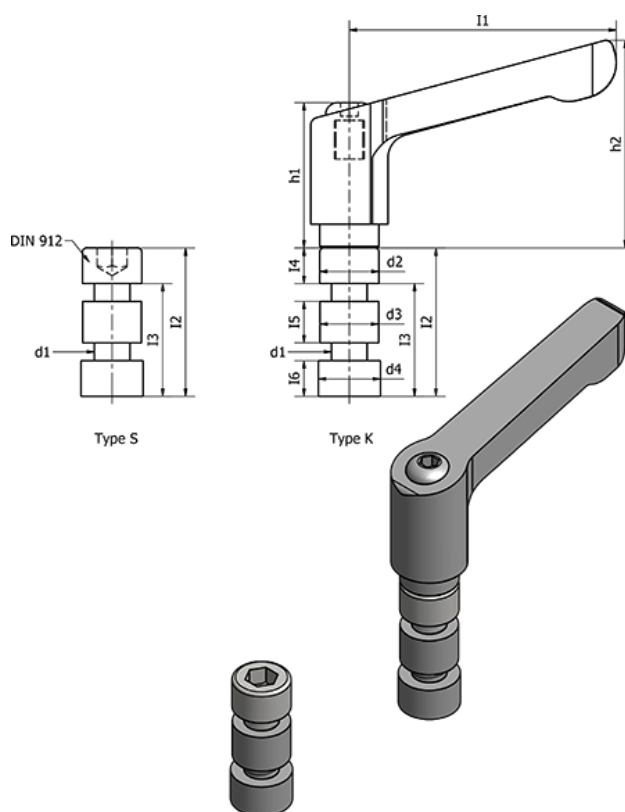


Data Sheet



Article number: 205111M416S
Description: E+G Clamping kit
GN 511.1-M4-16-S

Measures



d1 = 4	l3	= 11.5
d2 = 7.5	l4	= 4.5
d3 = 6.9	l5	= 4
d4 = 7.5	l6	= 4
h1 =	Weight (g)	= 120
h2 =		
l1 =		
l2 = 16		